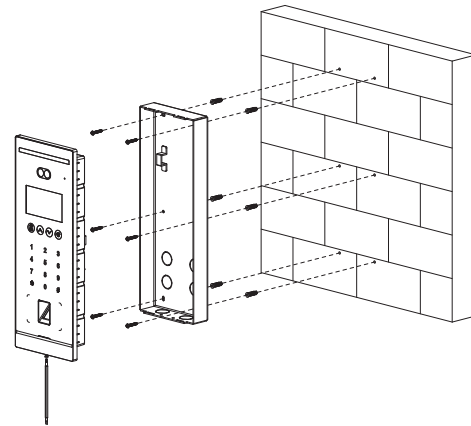


VTM130

Surface Mounting Plate for VTO65/75 Series Door Station



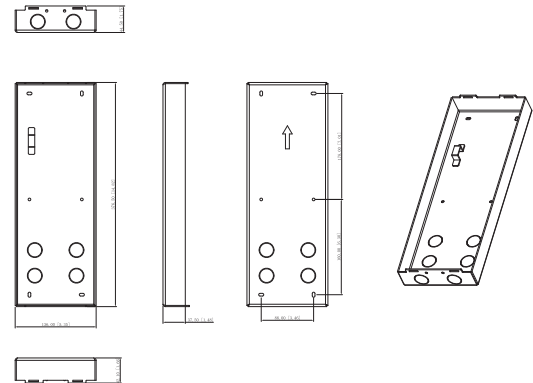
Installation



Technical Specification

Color	Silver
Installation	Surface mount
Dimensions	376.5 mm × 136 mm × 37.5 mm (14.82" × 5.35" × 1.48")
Operating Temperature	-30°C to +70°C (-22°F to +158°F)
Operating Humidity	10%RH-90%RH
Product Material	Aluminum alloy
Gross Weight	1.1 kg (2.43 lb)

Dimensions (mm[inch])



Ordering Information

Type	Model	Description
Mounting Plate	VTM130	Surface Mounting Plate for VTO65/75 Series Door Station